



Outstanding Performance, Flexible Configuration and Reliable Results

The new OHAUS MB27 Basic Moisture Analyzer combines high quality and durable construction into a sleek, compact design. The MB27 offers dependable, accurate results for a wide variety of moisture analysis applications.

Standard Features Include:

- With 0.01% 0.001g accuracy, the MB27 Moisture Analyzer is suitable for most applications.
- Halogen heating and dual weight-temperature calibration provide fast, reliable results.
- User-friendly touch-button design for easy operation.

MB27 Moisture Analyzer

Model	MB27
Capacity	90 g
Repeatability (Std Dev) (g)	0.2% (3 g sample) 0.05% (10 g sample)
Readability	0.01%/0.001 g
Sample size	typical: 3g - 20g minimum: 0,5g
Interface	Bidirectional RS232
Timer	1-99 minutes, 30-second increments to 60 minutes
Heating Technology	Halogen
Temperature Range	50 °C to 160 °C in 5 °C increments
Power	100 to 240 VAC, 50/60 Hz
Tare Range	To capacity by subtraction
Operating Temperature Range	5 °C to 40 °C
Display Type	Backlit LCD
Displays	%moisture or %solids or weight (g), temperature, time
Pan Size (Diameter)	90 mm
Dimensions (W × H × D)	17 × 14 × 28 cm
Net Weight	2.3 kg
Shipping Weight	3.9 kg

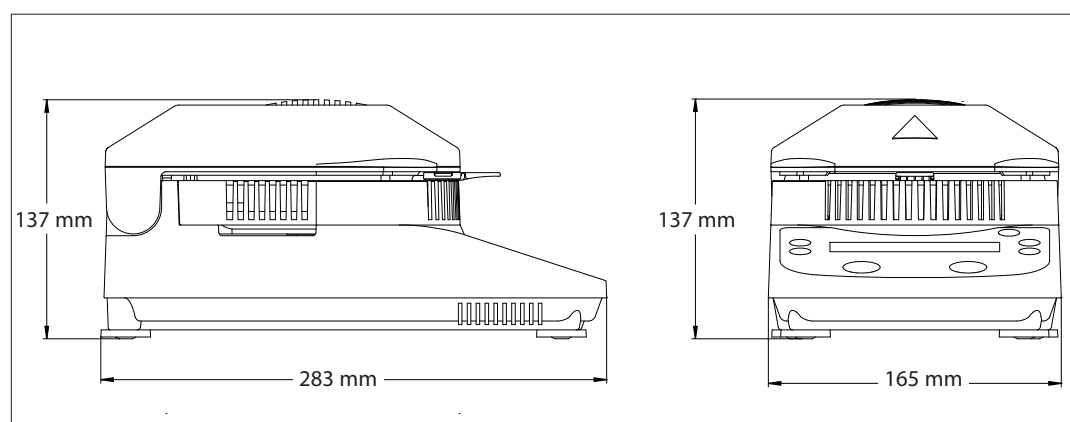
Compliance

- **Product Safety:** IEC/EN 61010-1, IEC/EN 61010-2-010
- **Electromagnetic Compatibility:** IEC/EN 61326-1 Class B, Basic environments

Accessories

- Temperature Calibration Kit, MB Series 11113857
- Anti-Theft Device 80850043
- Aluminum Sample Pans, 80 Pcs 80850086
- Pads, Glass Fiber, Qty 200 Pcs 80850087
- In-Use-Cover 80252475
- Pan Holder, MB Series 80252476
- Sample Cage, MB Series 80252477
- Reusable Sample Pans, 3 Pcs, 7mm, MB Series 80252478
- Reusable Sample Pans, 3 Pcs, 14mm, MB Series 80252479
- Impact Printer SF40A 30064202
- Thermal Printer, STP-103, EU 80251993

Outline Dimensions



ODECA S.R.L.

INDUSTRIAL WEIGHING SYSTEMS
 Via dell'Industria, 20 - 21044 Cavaria (VA) - ITALY
 Tel. +39 0331 219156 ; +39 0331 218844
 fax +39 0331 218366
 email : info@odeca.it
 http://www.odeca.it